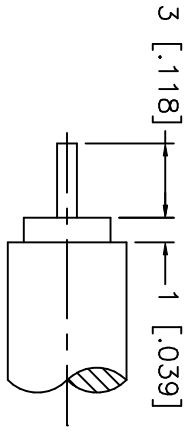
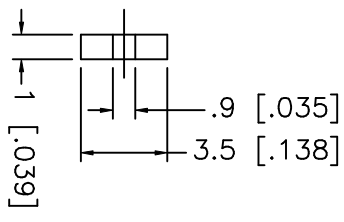
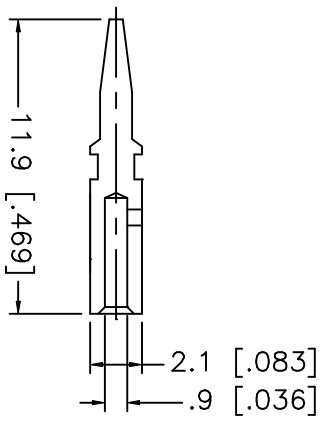
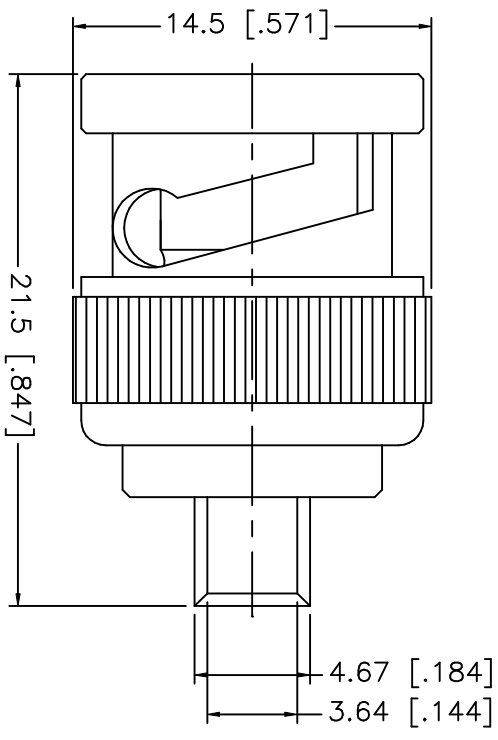


REV.	DATE	DESCRIPTION
NC	05/15/02	REFORMAT - MODIFY BARREL DIMENSIONS



RECOMMENDED  
CABLE STRIPPING DIM'S



CRIMP NOTE:

1. CRIMPED CONTACT PIN  
HEX CRIMP SIZE .068"

8																			
7																			
6																			
5																			
4	CONTACT PIN	BRASS	GOLD																
3	INSULATOR	TEFLON	NATURAL																
2	BODY	BRASS	GOLD																
1	COUPLING NUT	BRASS	NICKEL																
	DESCRIPTION	MATERIAL	FINISH																
				UNLESS OTHERWISE SPECIFIED DIMENSIONS ARE IN MILLIMETERS				APPROVALS				DATE							
				DIMENSIONS IN [ ] ARE IN INCHES FOR CUSTOMER REFERENCE ONLY				DRAWN G.R.S.				05/15/02							
				UNLESS OTHERWISE SPECIFIED TOLERANCES FOR INCHES ARE: .XXX = ± 0.005" .XX = ± 0.010" .X = ± 0.020"				CHECKED											
				DO NOT SCALE DRAWING				ISSUED											
<p style="text-align: center;"><b>Amphenol - Connex</b> CONNECTOR CORPORATION</p> <p style="text-align: center;">BNC DIRECT SOLDER PLUG (FOR .085", .086" SEMI RIGID CABLE)</p>																			
TITLE		SIZE		FSGM NO.		DWG. NO.		SCALE		PART NO.		SHEET		REV.					
		A		99001		112552.DWG		NA		112552		1 OF 1		NC					